



Get a grip on
Cingular's new range of Handles
and Adaptors.



C~Hand™

C~Hand™

Introducing Cingular's C~Hand™ Handles and Adaptors.

A well-designed set of surgical instruments will help to minimize the effort required for surgeons to achieve the best outcome during surgery.

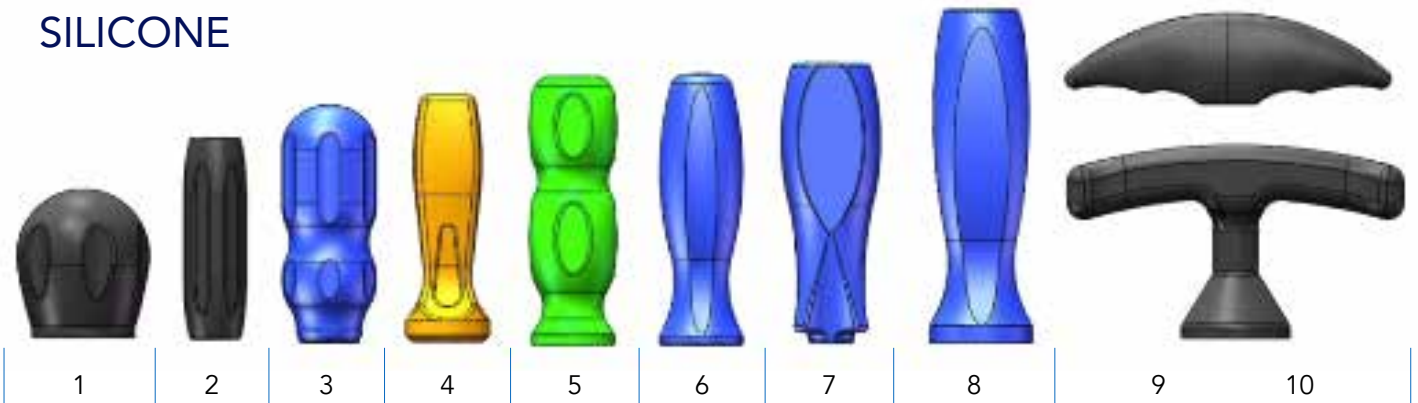
C~Hand™ offers large-section, ergonomic silicone handles that provide better tactile feedback, increased work comfort, and reduced hand fatigue. Compatible with most surgical instruments and made from high-

quality materials and processes that guarantee reliability and durability, these reusable handles are designed to make orthopedic procedures easier and more efficient, delivering the most seamless surgical experience.

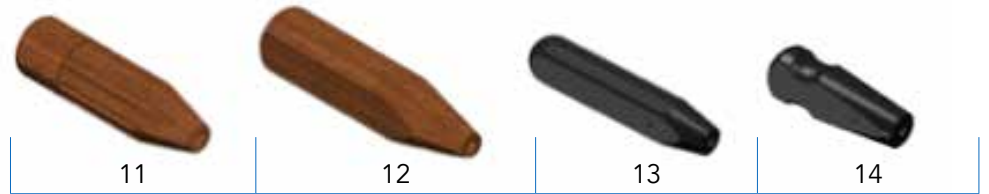
The handle components are designed to be soft to the touch, using materials silicone, phenolic, radel, and aluminum and stainless steel for comfort but sufficiently strong to withstand forces and provide a firm grip without slippage

HANDLE COMPONENTS

SILICONE



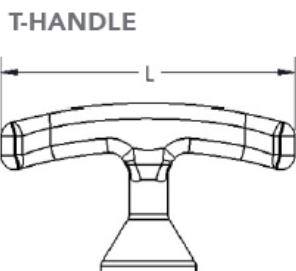
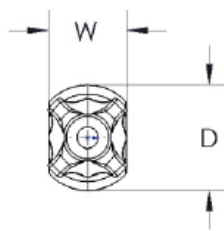
PHENOLIC AND RADEL HANDLES



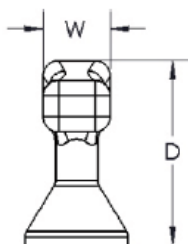
HANDLE TYPES AND DIMENSIONS



AXIAL HANDLE



T-HANDLE



| # | L | W | D |
|----|-----|----|----|
| 1 | 50 | NA | 45 |
| 2 | 68 | NA | 22 |
| 3 | 80 | NA | 32 |
| 4 | 83 | 23 | 28 |
| 5 | 92 | 28 | 31 |
| 6 | 92 | 27 | 29 |
| 7 | 95 | 25 | 35 |
| 8 | 112 | 32 | 37 |
| 9 | 110 | 19 | 31 |
| 10 | 114 | 24 | 66 |
| 11 | 73 | NA | 21 |
| 12 | 113 | 25 | 29 |
| 13 | 90 | 16 | 20 |
| 14 | 95 | 28 | 34 |

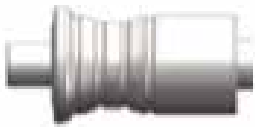
FEMALE COUPLING CONNECTORS



Mini AO



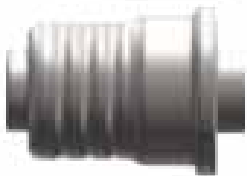
Push AO 1



Push AO 2



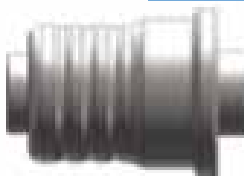
Push AO 3



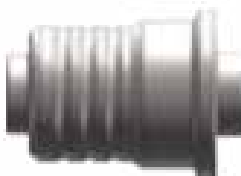
Pull AO



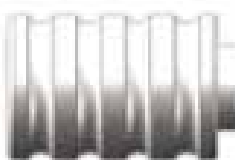
3/16 SQ



1/4 SQ



Tri-Lobe



Small Hudson



Large Hudson



Jacob Hudson

MALE COUPLING CONNECTORS



Mini AO



Tri-Lobe 3/16



3/16 SQ



Small Hudson



Hudson



AO



Tri-Lobe 1/4

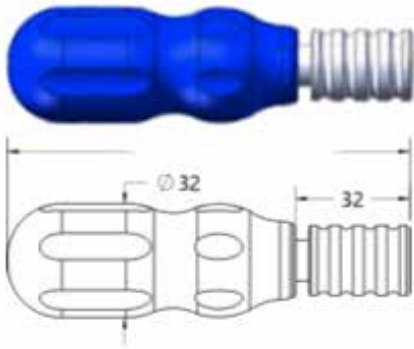


1/4 SQ



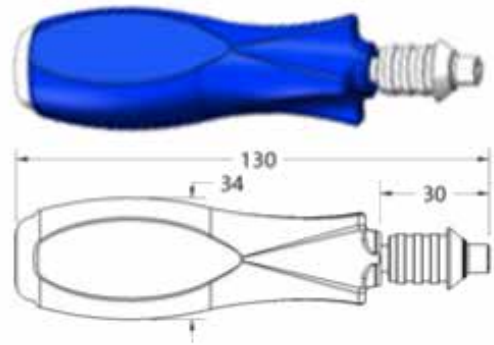
Large Hudson

FIXED HANDLES



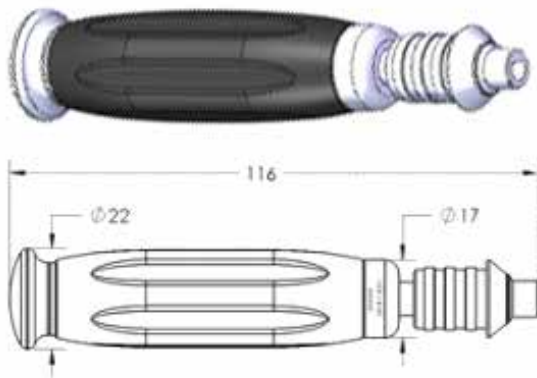
Hudson Cannulated

CO105-14-00



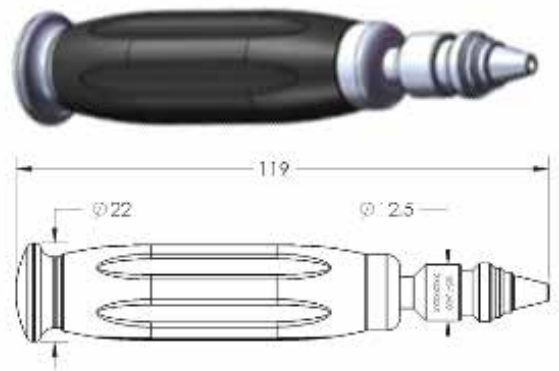
AO Cap Cannulated

CO105-18-00



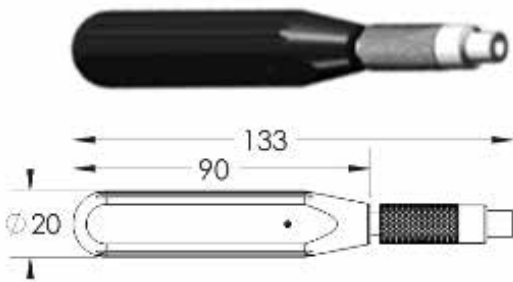
AO Cap

CO105-11-00



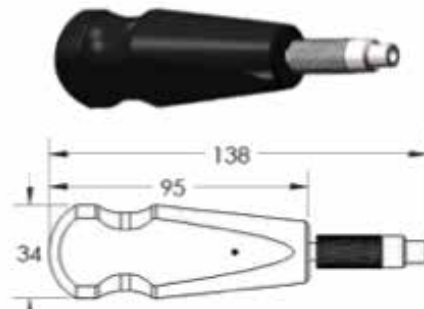
Mini AO Cap

CO105-13-00



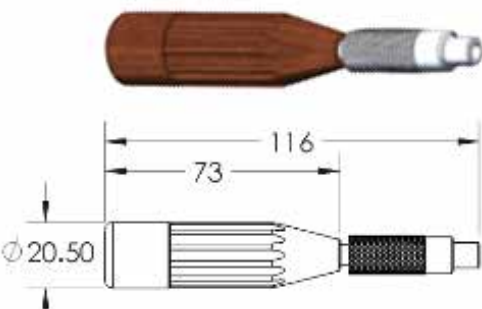
AO Cannulated

CO105-22-00



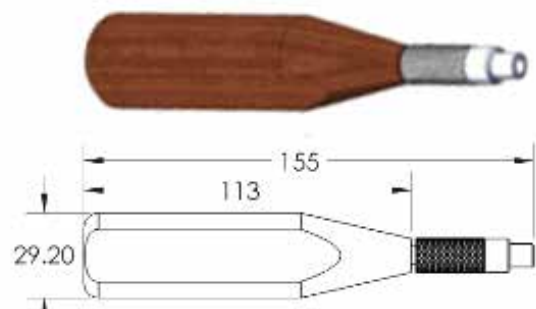
AO Cannulated

CO105-23-00



AO Cap

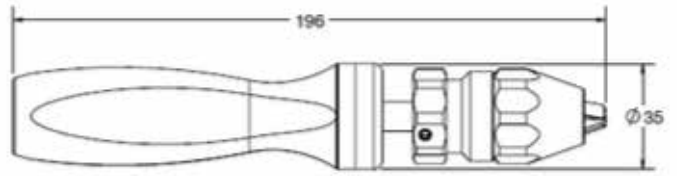
CO105-14-00



AO Cannulated

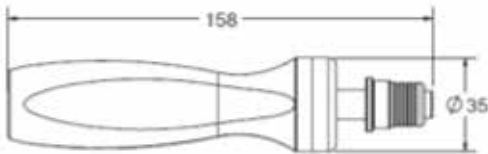
CO105-25-00

FIXED HANDLES



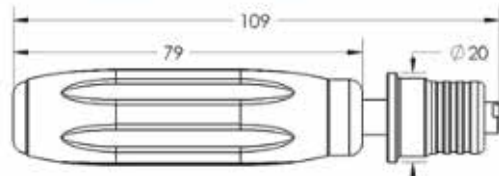
Jacob Chuck Large Cannulated

CO105-19-02



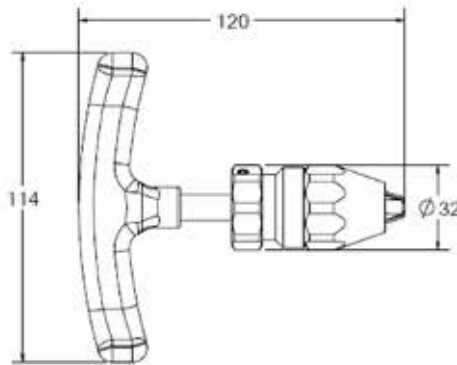
1/4 SQ Large Cannulated

CO105-31-00



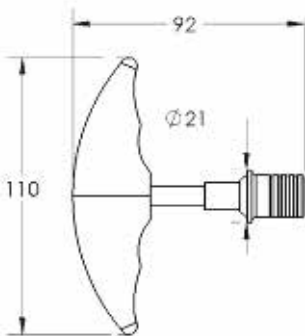
AO Cannulated

CO105-32-00



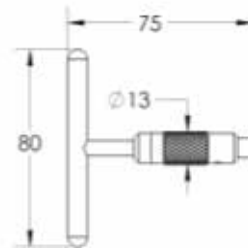
Jacob Chuck Large Cannulated

CO105-21-00



3/16 SQ

CO105-20-00



AO

CO105-26-00



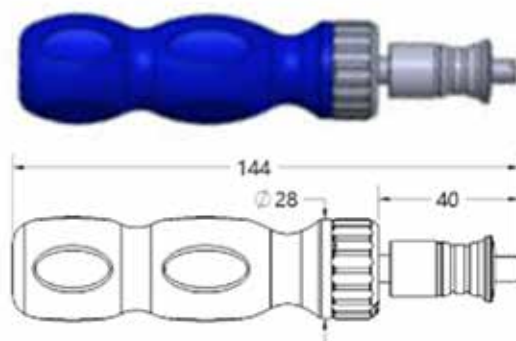
RATCHET HANDLES

C~Hand™ Ratchet Handles are uniquely designed with a 3-WAY ratcheting mechanism for forward, reverse and locked positions. Easy to operate that allows rotation without stopping to adjust the position of the wrist.



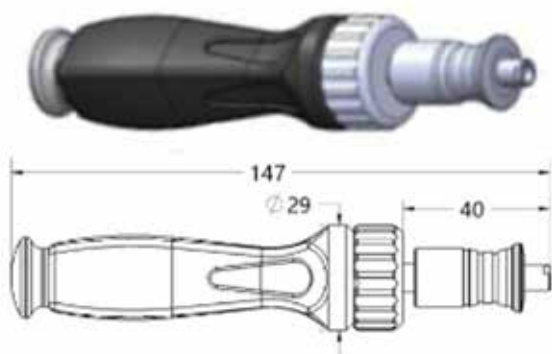
1/4 SQ Large Ratchet Cannulated

CO105-07-00



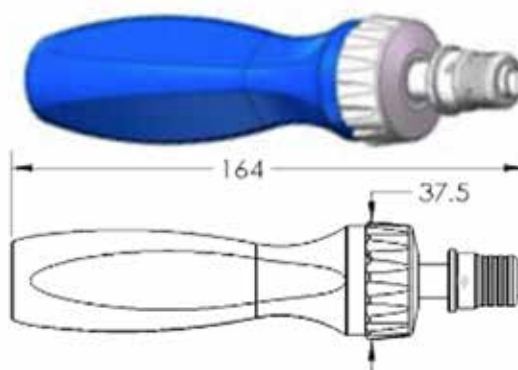
AO Medium Ratchet Cannulated

CO105-01-00



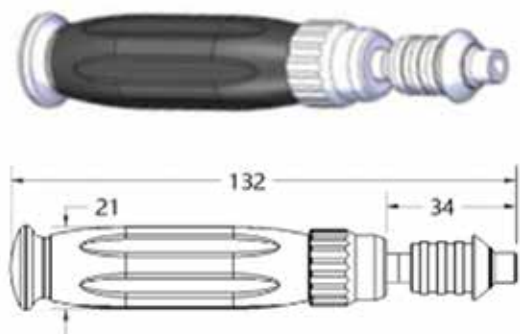
AO Medium Ratchet Cannulated Cap

CO105-03-00



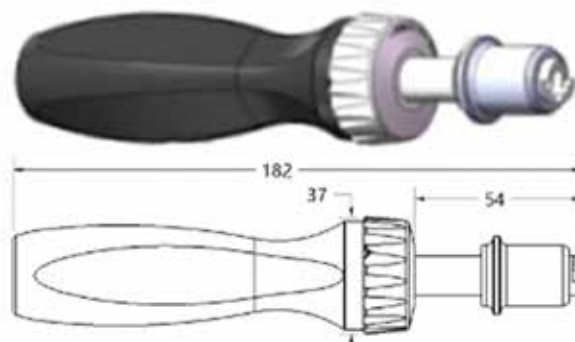
Tri-Lobe Large Ratchet Cannulated

CO105-06-00



AO Small Ratchet Cannulated Cap

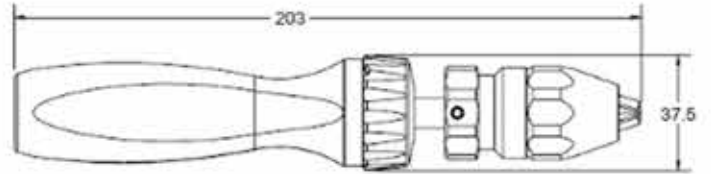
CO105-05-00



Hudson Large Ratchet Cannulated

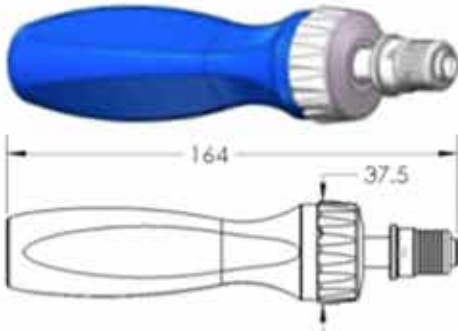
CO105-08-00

RATCHET HANDLES



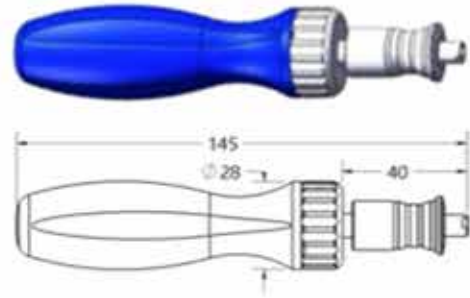
Jacob Chuck Large Ratchet Cannulated

CO105-09-02



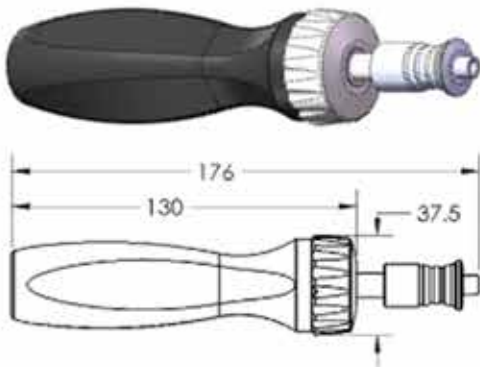
1/4 SQ Large Ratchet Cannulated

CO105-09-00



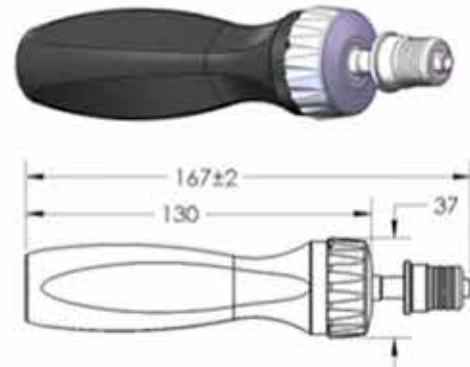
AO Medium Ratchet Cannulated

CO105-17-00



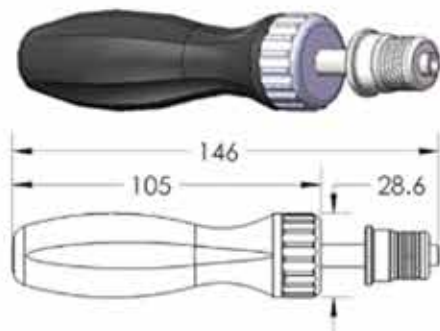
AO Large Ratchet Cannulated

CO105-19-00



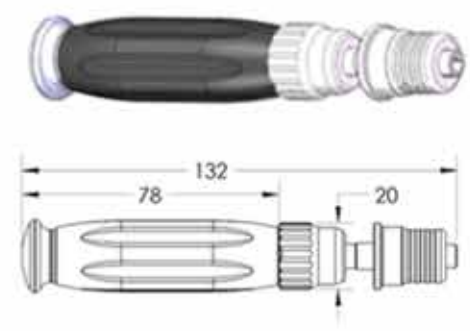
AO Large Ratchet Cannulated

CO105-27-00



AO Medium Ratchet Cannulated

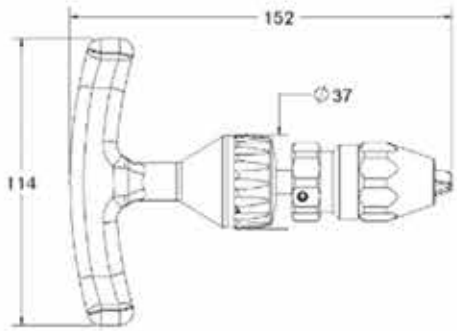
CO105-29-00



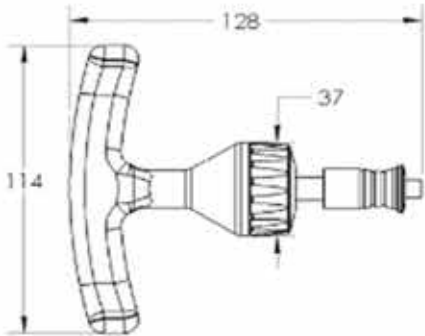
AO Small Ratchet Cannulated

CO105-30-00

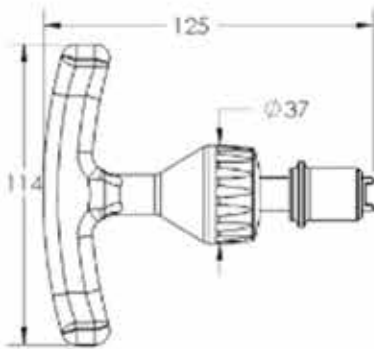
RATCHET HANDLES



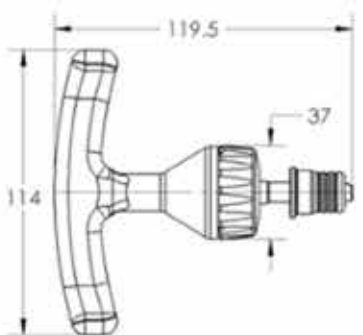
Jacob Chuck Large Ratchet Cannulated CO105-21-03



AO Large Ratchet Cannulated CO105-12-00



Hudson Large Ratchet Cannulated CO105-21-00

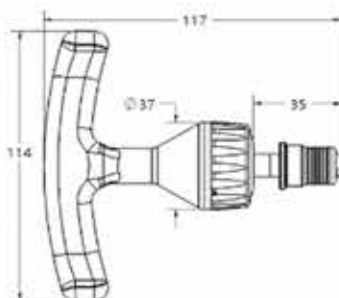


Pull AO Large Ratchet Cannulated CO105-28-00



1/4 SQ Large Ratchet Cannulated CO105-21-01

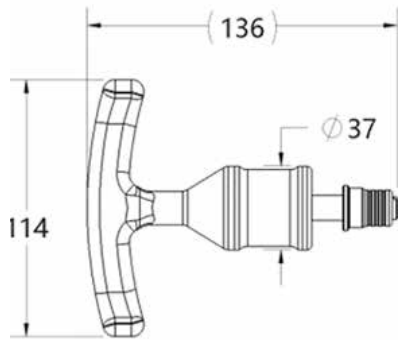
Tri-Lobe Large Ratchet Cannulated CO105-04-00



TORQUE LIMITING HANDLES

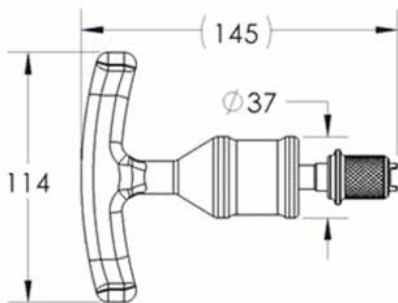
C~Hand™ Torque-Limiting Handles demonstrate an elevated level of reliability and durability with a preset nominal torque value (ranging from 0.15N m to 15.m), calibrated to + / -10% accuracy, it is designed to slip after reaching a preset torque load to prevent over-tightening and mitigate the risk of implant breakage caused by excessive force.

Maintenance-Free Solution: No need to re-calibrate. Rigorous testing: 360 cycles steam sterilisation and 6,000 clicks simulate at least 2yr cycle. Results: accuracy maintained within ±10% of the preset nominal value.



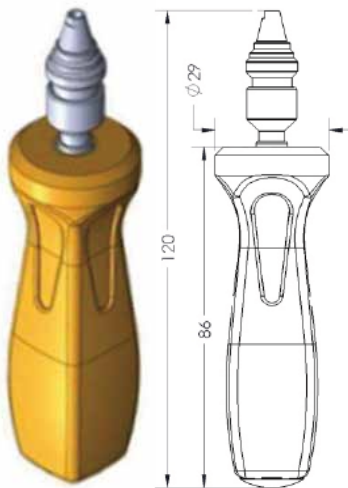
1/4 SQ Cannulated Torque

CO106-05-00

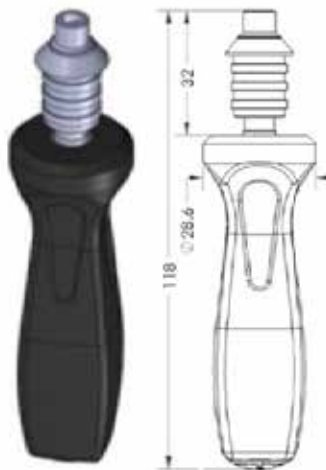


Hudson Cannulated Torque

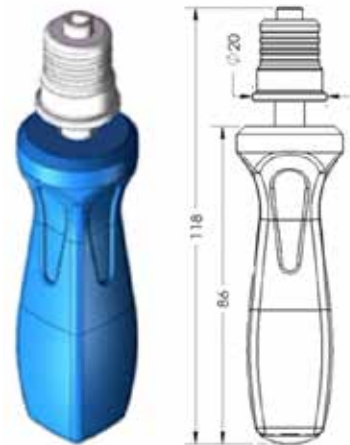
CO106-12-00



Mini AO Torque Cap
CO106-00-00



AO Torque Cap
CO106-01-00



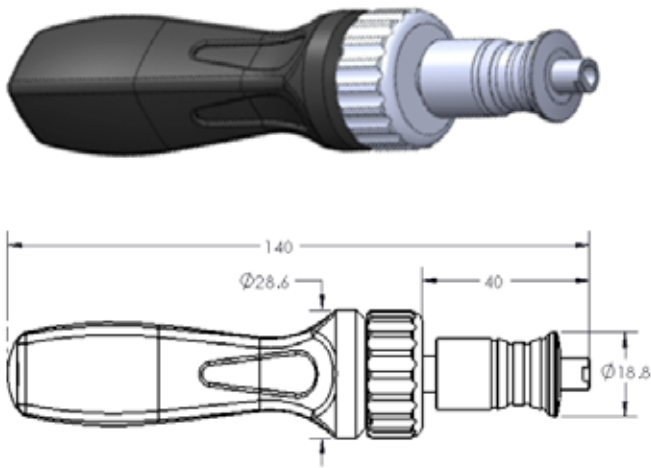
AO Pull Cannulated Torque
CO106-13-00

TORQUE PLUS HANDLES

Introducing the C~Hand™ Torque-Plus Handles.

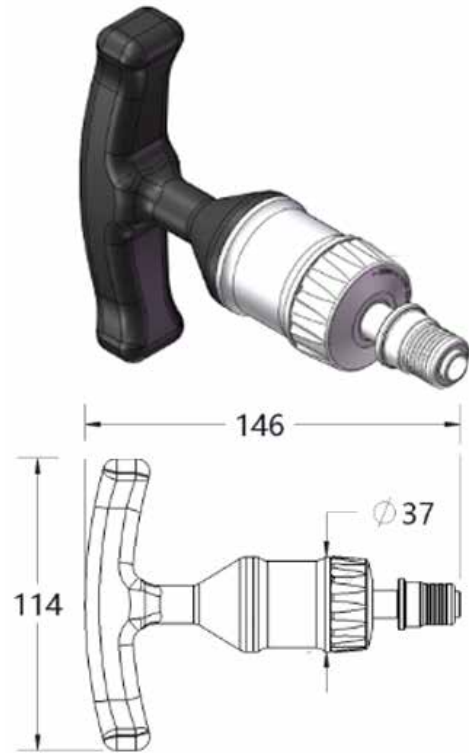
- **Design:** Unique, Space-Saving, 2-in-1
Combines ratchet and torque limiting functions, saving tool kit space.
- **Versatile:** Switch between ratcheting and torque limiting for different applications.
- **Performance:** Time-efficient means you can perform both tasks with one tool, quickly switching functions and reducing the need to switch between tools.

- **Cost-effective:** One tool performs multiple functions, saving money.
- **Benefits:** Reduces surgeon fatigue and prevent potential over-tightening and breakage.



AO Ratchet Torque Cap

CO106-02-00

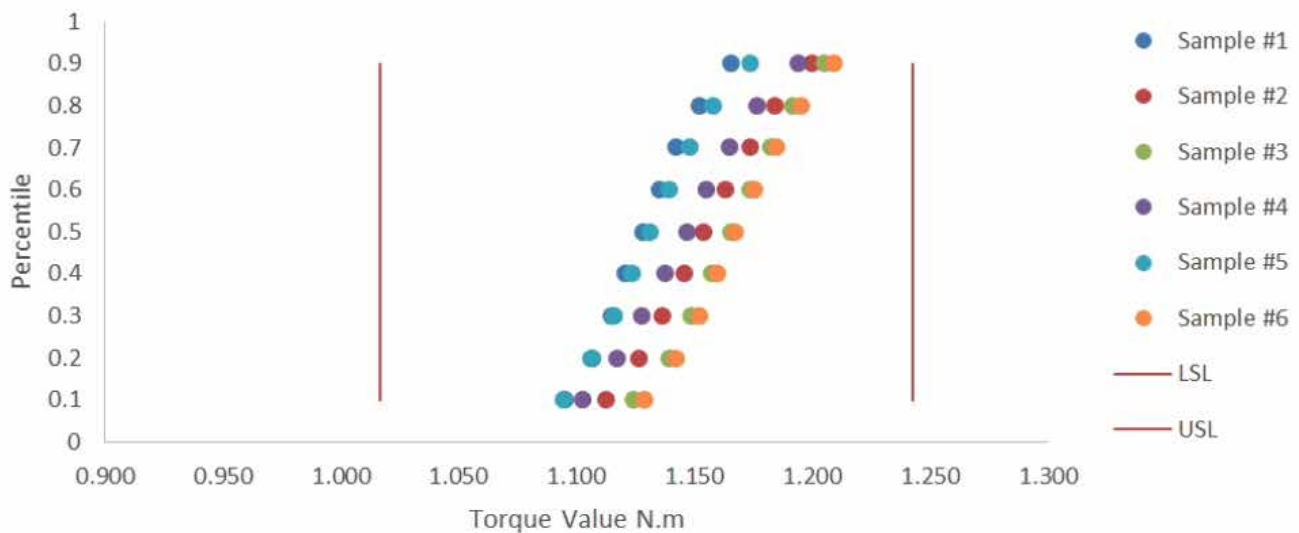


1/4 SQ Ratchet Torque Cap

CO106-04-00

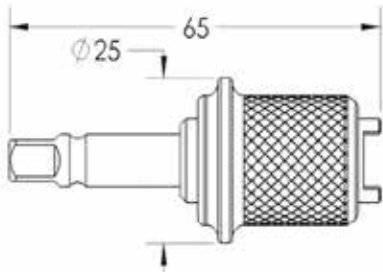
EXAMPLE: 1.13 N.M TORQUE LIMITED DRIVER TESTING

Torque Value Percentile Distribution



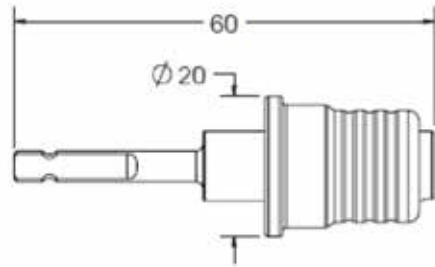
Total number of use: 75 Clicks/Cycle* 80 cycles = 6000 Clicks/Uses

COUPLING ADAPTERS



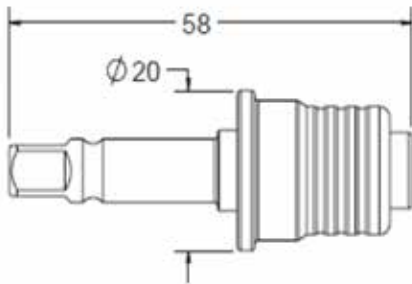
1/4 SQ to Hudson

CO105-54-00



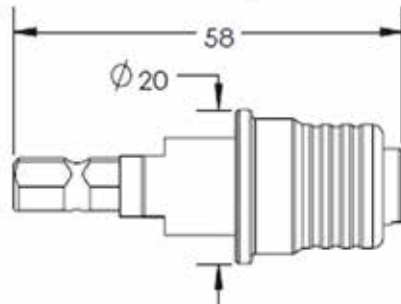
AO to 1/4 SQ

CO105-51-00



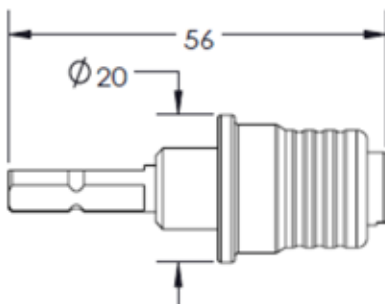
1/4 SQ to 3/16 Tri-Lobe

CO105-52-00



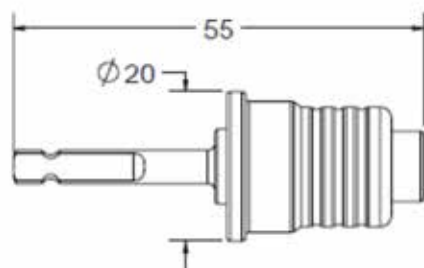
Hudson to 1/4 SQ

CO105-55-00



Tri-Lobe to 1/4 SQ

CO105-53-00



AO to 3/16 Tri-Lobe

CO105-50-00

CUSTOM COLOR AND ENGRAVED LOGO

Want to differentiate your brand from the competitors and stand out in the market? Customize a company color by selecting color codes and adding your logo to the handles

- A wide range of colors for selection for the over-molded handle
- Ready to put your laser-etched or silicone logo on the silicone handle components



| Color name | Similar to RAL | Color * |
|------------------|----------------|--|
| Ivory | RAL 1014 |  |
| Yellow | RAL 1006 |  |
| Yellow | RAL 1021 |  |
| Yellow | RAL 1016 |  |
| Yellow | RAL 1026 |  |
| Yellow | RAL 1033 |  |
| Red brown | RAL 2001 |  |
| Orange | RAL 2004 |  |
| Dark red | RAL 3000 |  |
| Red iron oxide | RAL 3013 |  |
| Red | RAL 3020 |  |
| Red violet | RAL 4002 |  |
| Blue | RAL 5022 |  |
| Ultramarine blue | RAL 5002 |  |
| Dark blue | RAL 5010 |  |
| Light blue | RAL 5015 |  |
| Helio green | RAL 6004 |  |
| Green | RAL 6010 |  |
| Gray | RAL 7000 |  |
| Black | RAL 9011 |  |

SPECIFY A HANDLE CONFIGURATION TO FIT YOUR INSTRUMENT CASE/TRAY

ORDER FORM

| | | | |
|----------------------|--|--------|--|
| Customer Information | | | |
| Company Name: | | | |
| Company Address: | | | |
| Contact Name: | | | |
| Email: | | Phone: | |

FOR FAST, EASY ORDERING, LET'S GET STARTED!

Use this order form to record your ideas for the handle's design and functionality.

To customize a super-high quality handle for your instruments, please check the appropriate box and complete the remaining selections in the form and SUBMIT Directly from this order form.

We will contact you to confirm your order with 72 HRS.

| | |
|---|--|
| 1. Type of Driver: <ul style="list-style-type: none"><input type="checkbox"/> Fixed<input type="checkbox"/> Ratcheting<input type="checkbox"/> Torque -Limiting<input type="checkbox"/> Torque Value: () in-lbs<input type="checkbox"/> Ratcheting & Torque-Limiting (2 in 1) | 2. Handle Platform: <ul style="list-style-type: none"><input type="checkbox"/> Axial, Large<input type="checkbox"/> Axial, Medium<input type="checkbox"/> Axial, Small<input type="checkbox"/> Comfort - T<input type="checkbox"/> Palm |
| 3. Distal End - Male Connector: <ul style="list-style-type: none"><input type="checkbox"/> AO, Push <input type="checkbox"/> AO, Pull <input type="checkbox"/> Hudson, LRG <input type="checkbox"/> Hudson, SM <input type="checkbox"/> Hudson<input type="checkbox"/> Tri-Lobe <input type="checkbox"/> 1/4" SQ <input type="checkbox"/> 3/16" SQ <input type="checkbox"/> Mini AO <input type="checkbox"/> Other (Provide a model or dimensional print) | |
| 4. Proximal End: <ul style="list-style-type: none"><input type="checkbox"/> Plug (Anodized Aluminum)<input type="checkbox"/> Cap (Stainless Steel)<input type="checkbox"/> Cannulation | 5. Handle Colour: <ul style="list-style-type: none"><input type="checkbox"/> Black)<input type="checkbox"/> Blue<input type="checkbox"/> Other () Colour Code |

4. Other requirements or Specifications:

TECHNICALS AND SPECIFICATIONS

| TECHNICAL | CINGULAR HANDLE | | | | |
|----------------------------|--|---|--|---|-----------------|
| | TYPE | FIXED | RATCHET | TORQUE | ADAPTOR |
| MAIN MATERIAL | Medical Grade Silicone Aluminum Alloy Stainless Steel | Medical Grade Silicone Aluminum Alloy Stainless Steel | Medical Grade Silicone Aluminum Alloy Stainless Steel | Medical Grade Silicone Aluminum Alloy Stainless Steel | Stainless Steel |
| SPECIFICATIONS | Ergonomic shape Aluminum alloy body to reduce weight Axial and T handle available | 3-ways mechanism: Forward, reversed, locked positions | 0.15N.m - 15 N.m preset nominal torque value Slip after reaching the preset torque load Accuracy: +/-10% | AO, Mini AO, Hudson, Tri-Lobe, Jacob, 3/16 SQ, 1/4 SQ | |
| VALIDATIONS | 50 cycles of autoclave steam sterilization 50 in-lbs torque resistance | 50 cycles of autoclave steam sterilization 50 in-lbs torque resistance 10,800 revolutions | 360 cycles of autoclave steam sterilization 6,000 uses Accuracy: +/-10% | | |
| REC / STERILIZATION METHOD | Steam | Steam | Steam | Steam : Gamma | |
| PACKAGING | Bulk Pack | Bulk Pack | Bulk Pack | Bulk Pack | |
| CUSTOMISABILITY | Bulk Pack | Bulk Pack | Bulk Pack | Bulk Pack | |
| REGULATION | FDA 21 CFR PART 820 EN ISO 13485 In compliance with Regulation (EU) 2017/745, MDR Classification: Class I | | | | |



CINGULAR
ORTHOPAEDICS

P: +61 426 246 267
E: cingularortho@gmail.com

www.cingular.com.au

CINGULAR ORTHOPAEDICS PTY LTD. All rights of distribution, also by photocopy, reprint (also in the form of extracts) or storing and recovery in any kind of data processing device are reserved and require our written approval. The information, illustrations, photography and general information are correct and true at the time of print. However they cannot be regarded as binding warranty of quality. The user is responsible for checking the products prior to use whether they are suited for the intended purpose. We can only be held liable for these instruments pursuant to our terms of delivery and payment. Subject to technical alterations. CING I HANDLE: 2024 (V1)